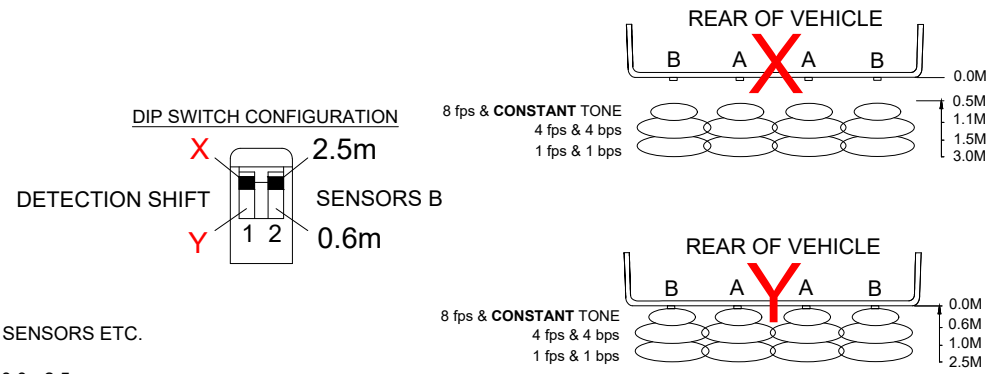
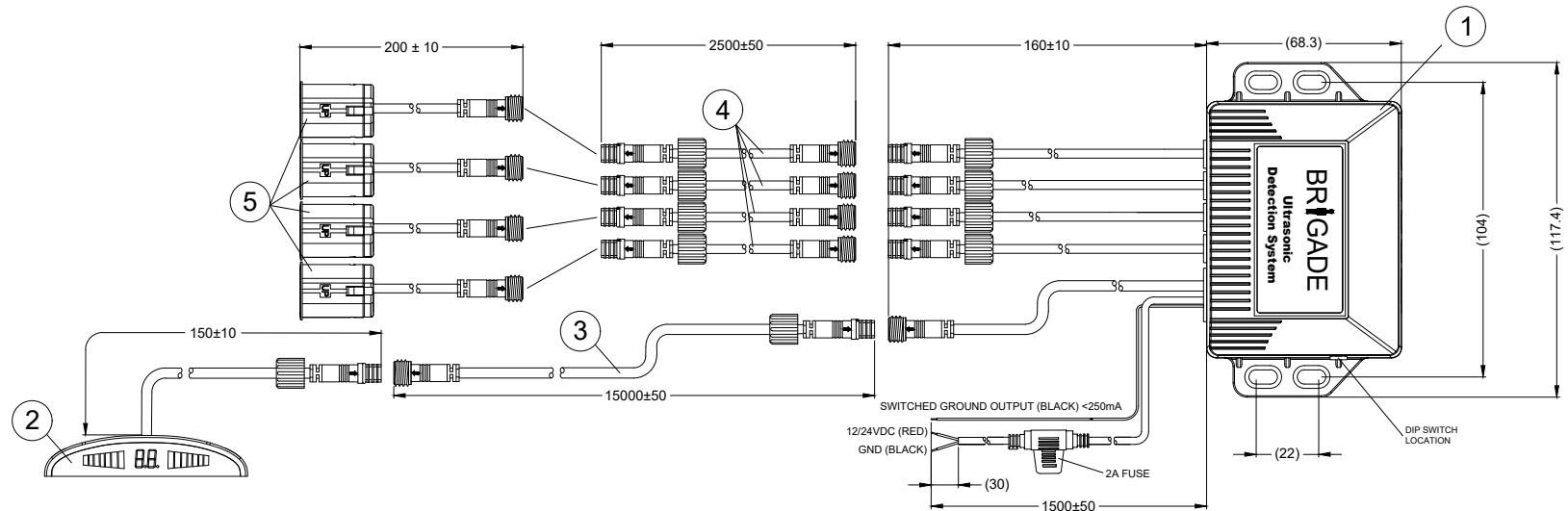


Revision Notes.				
R1 -				
APA: -	Drawn:-	Checked:-	Approved:-	Date: -

ITEM	PART NO.	QTY	MODEL / DESCRIPTION
①	(3745)	1	BS-4000W-ECU - ECU ONLY
②	(3749)	1	UDS-001DP - DISPLAY ONLY
③	(3746)	1	UDS-15BC - 15M DISPLAY CABLE
④	(3719)	4	UDS-2.5SC - 2.5M SENSOR CABLE
⑤	(3718)	4	UDS-000HSS - UDS SENSOR
⑥	(3728)	1	UDS-IG - INSTALLATION GUIDE (NOT SHOWN)
⑦	(3725)	4	UDS-26SS - 26° SENSOR SLEEVE (NOT SHOWN)



- NOTES:
1. ALL AUDIBLE WARNINGS ARE MEASURED IN BEEPS PER SECOND (bps).
  2. VISUAL WARNING IS NUMERICAL AND IN METRES WITH COLOURED SEGMENTS LEFT AND RIGHT.
  3. ON START-UP THE SYSTEM WILL BEEP ONCE FOR ONE FAULTY SENSOR, TWICE FOR TWO FAULTY SENSORS ETC.
  4. THE ECU IS FULLY POTTED.
  5. DIP SWITCH 1 SWITCHES DETECTION BETWEEN (X & Y). THE DISPLAY RANGE WILL ALWAYS SHOW 0.0 - 2.5m.
  6. DIP SWITCH 2 SWITCHES OUTER SENSORS BETWEEN 0.6M & 2.5M
  7. DETECTION CAN BE SHIFTED 0.5m AWAY FROM THE SENSORS. TO ACCOMMODATE UNDERBODY FITMENT.(X & Y)
  8. GROUND OUTPUT ON BLACK WIRE OPERATES DURING DETECTION.(MAXIMUM CURRENT 250mA)
  9. SEE COMPONENT DRAWINGS FOR COMPONENT DETAIL.
  10. FOR LABEL AND PACKING DETAIL REFER TO LATEST VERSION OF THE MASTER BOM.

**PROPRIETARY NOTICE**  
 THIS DESIGN AND TECHNICAL INFORMATION APPEARING ON THIS DRAWING IS THE PROPERTY OF BRIGADE ELECTRONICS, AND IS DISCLOSED IN CONFIDENCE. IT IS NOT TO BE COPIED, REPRODUCED, REVEALED TO OR EXPROPRIATED BY OTHERS, EITHER IN WHOLE OR IN PART WITHOUT THE EXPRESS WRITTEN CONSENT OF BRIGADE ELECTRONICS.



Assembly PI Approval ALLEN YAO	Approved by B.CHILDS	Checked by M. BUTLER	Drawn by R.WILLIAMS
Angle of Projection 	Units mm	Scale N/A	Released 17/11/17
Status Released	Assembly Ref -		
Part No 5068	Released BS-4000W(413-0208)		
	Part No BS-003717-00-17		